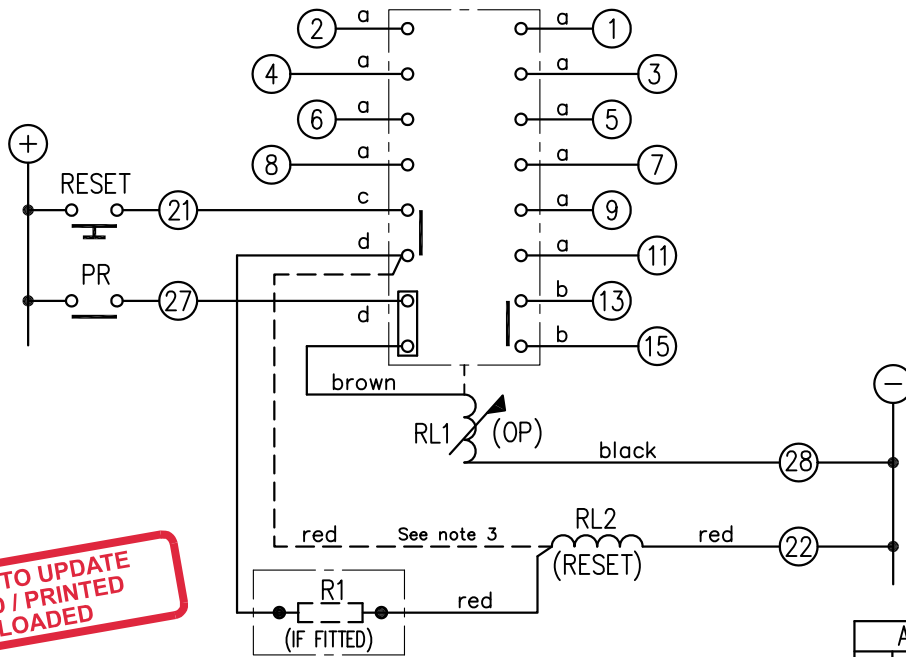


2112W50007

LOOKING ON FRONT OF RELAY



NOT SUBJECT TO UPDATE
ONCE COPIED / PRINTED
OR DOWNLOADED

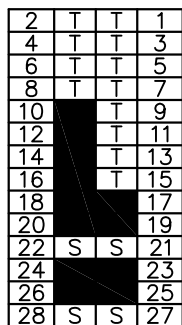
ASSEMBLY WIRES USED		
a	2107B10001	10 OFF
b	2107B10002	2 OFF
c	2107B10003	1 OFF
d	2107D10164	2 OFF

RL2 (RESET) KIT	SOLKIT:6V	SOLKIT:6V	SOLKIT:6V	SOLKIT:12V	SOLKIT:36V	SOLKIT:36V
RL1 (OP) COIL	2112G20013	2112G20014	2112G20016	2112G20017	2112G20020	2112G20023
R1	NIL	1X6R8 2102C15687 W21	1X18R 2102C25180 W22	1X27R 2102C15270 W21	NIL	1X470R 2102C15471 W21
Vdc	24	30	48	60	125	240

KEY	CONTACT CONFIG.	OUTPUT CONTACT PAIR/TERMINAL No.								NOTE:
		1-3	2-4	5-7	6-8	9-11	10-12	13-15		
⊖⊖ make contact	6M	M	M	M	M	M	M	M	1. CONTACT CONFIGURATION ABOVE IS REQUIRED FOR RELAY OPERATION. FOR DETAILS OF VARIABLE CONTACT OPTIONS SEE TABLE OPPOSITE. 2. RESISTOR R1 TO BE FITTED ONLY WHEN REQUIRED. 3. DASHED LINE ---- SHOWS CONNECTIONS WHEN RESISTORS ARE NOT FITTED.	
⊖⊖⊖ break contact	5M 1B	M	B	M	M	M	M	M		
⊖⊖⊖ c/o contact	4M 2B	B	B	M	M	M	M	M		
⊖⊖ ext. conn	3M 3B	B	B	M	B	M	M	M		
⊖⊖ plug bridge - shorting	2M 4B	B	B	B	B	M	M	M		
⊖⊖ metering point	1M 5B	B	B	B	B	B	B	M		
⊖⊖ 5Kv barrier										
⊖⊖ test socket - shorting										
⊖⊖ plug & socket										

FRAME REFERENCE: E2FAQM.
FRAME TERMINAL BLOCK ASSY: -

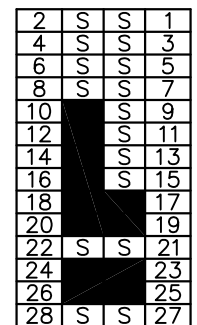
ASSEMBLY INSTRUCTIONS: -
TYPICAL ASSEMBLY DRAWING 2995G10032.
AT INDICATED POSITIONS FIT AS FOLLOWS:
T - FIT TRIP ISOLATION CONTACT 2995B10053
S - FIT STANDARD CONTACT 2995B10054
SECURE CONTACTS USING FIXING SCREW 2109F99009.
POSITIONS SHOWN BLANK ARE UNUSED



VIEW FROM NUMBERED SIDE OF BLOCK

OUTER TERMINAL BLOCK ASSY: -

ASSEMBLY INSTRUCTIONS: -
TYPICAL ASSEMBLY DRAWING 2995G10029.
AT INDICATED POSITIONS FIT AS FOLLOWS:
S - FIT STANDARD CONTACT 2995B10051
HC - FIT 'HEAVY CURRENT' KIT 2995G10030
WHERE ⊖⊖⊖ IS SHOWN FIT CT SHORTING KIT 2995G10031
POSITIONS SHOWN BLANK ARE UNUSED.
ALL POSITIONS FIT SCREW 2106F12506.



VIEW FROM INSIDE FACE

4 RDW 31/05/11 MN112/3408			Title: T.B. AND WIRING DIAG. FOR TR131-6 RELAY IN EPSILON E2 CASE.			First used on:		
3 RDW 11/11/05 MN112/2744			<p style="font-size: 2em; font-weight: bold; text-align: center;">Reyrolle Protection Hebburn.</p>			Similar Articles:		
2 08/02/00 MN112/247						Supersedes:		
ISSUE DATE MOD.No.			Original Scale:			Drg.No. 2112W50007		
DRAWN: A.LAW.			CHECKED:			APPROVED: R.D.WATSON		
			DATE: 16/07/02			Copyright © 1998 Reyrolle Ltd		